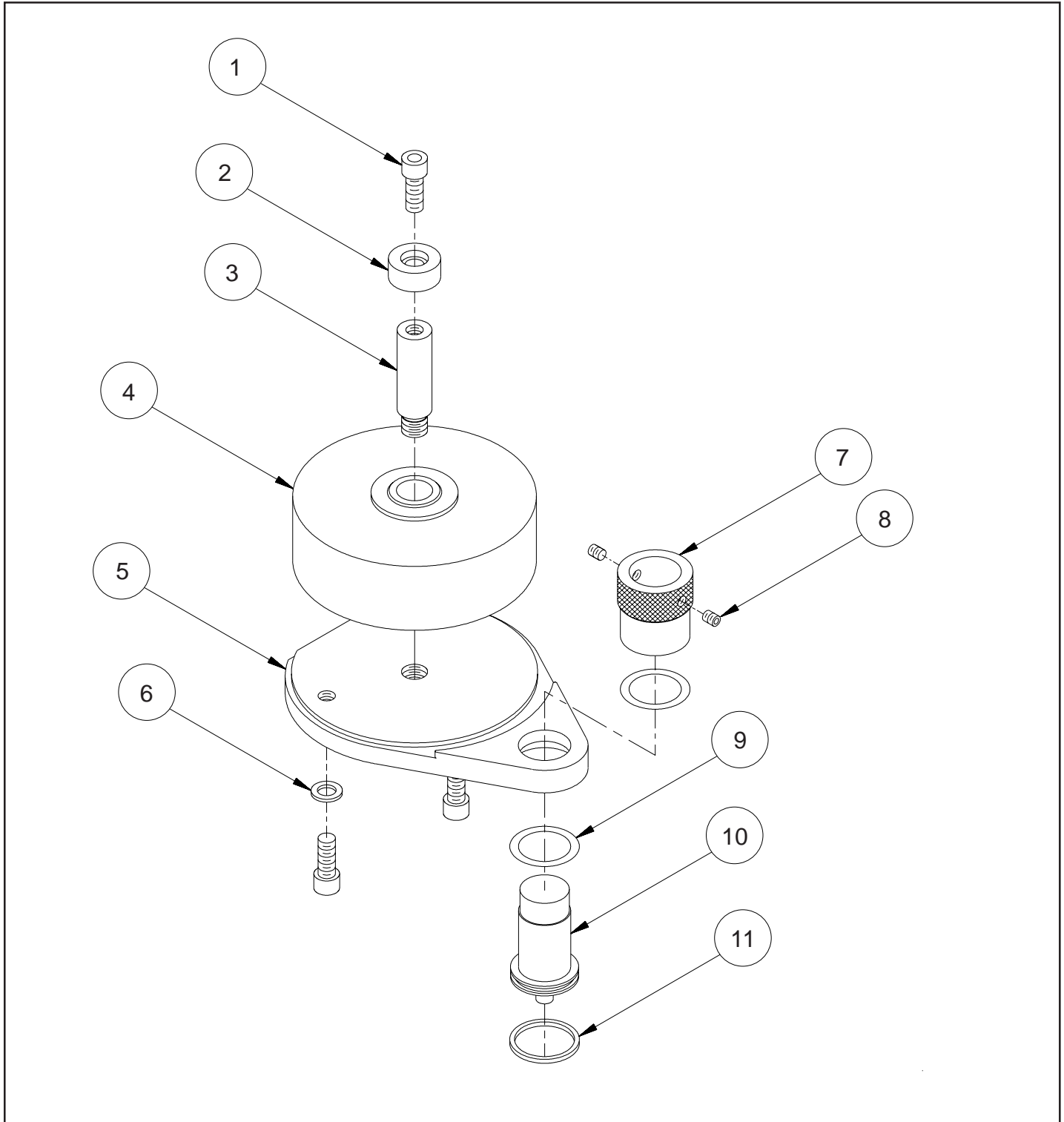


October 10, 2002

UNIVERSAL POROUS MIDSIZE CODERS
MS-120, MS-150, MS-220, MS-250 SERIES
INDEXING & NON-INDEXING

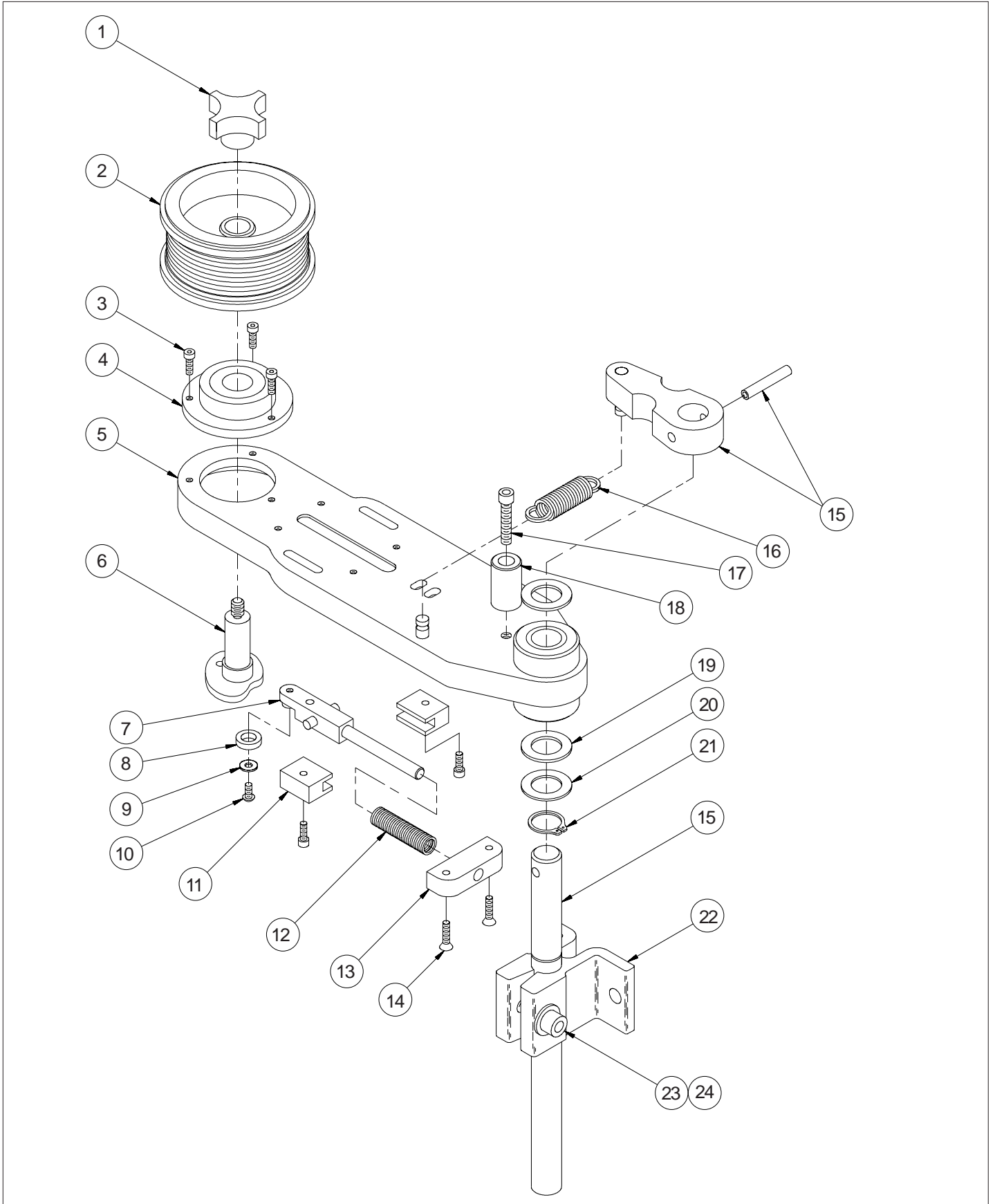
POROUS MIDSIZE CODER INKING SYSTEM ASSEMBLY



POROUS MIDSIZE CODER INKING SYSTEM PARTS LIST

KEY NO.	PART NUMBER	QTY. REQD.	DESCRIPTION
1	MC-02	3	SCREW, 1/4-20 X 5/8" SHC
2	CM-01	1	AXLE CAP
3	MS-09	1	AXLE, 1-1/8" INK ROLL
	MS-55		AXLE, 2" INK ROLL
4	MS-MC1	1	1-1/8" MICROCELL INK ROLL
	MS-XC1		1-1/8" XF NEOPRENE INK ROLL
	MS-MC2		2" MICROCELL INK ROLL
	MS-XC2		2" XF NEOPRENE INK ROLL
5	MS-07	1	BASEPLATE, POROUS INKING SYSTEM
6	MS-29	2	DELIN WASHER, MS INKING SYSTEM
7	NP-19	1	ECCENTRIC KNURLED KNOB
8	HP-06	2	SET SCREW, 8-32 X 3/16" CPS
9	HP-42	2	DELIN WASHER
10	MSC-ISEA	1	ECCENTRIC ASSEMBLY
11	NP-21	1	O-RING, ECCENTRIC

POROUS MIDSIZE CODER ASSEMBLY

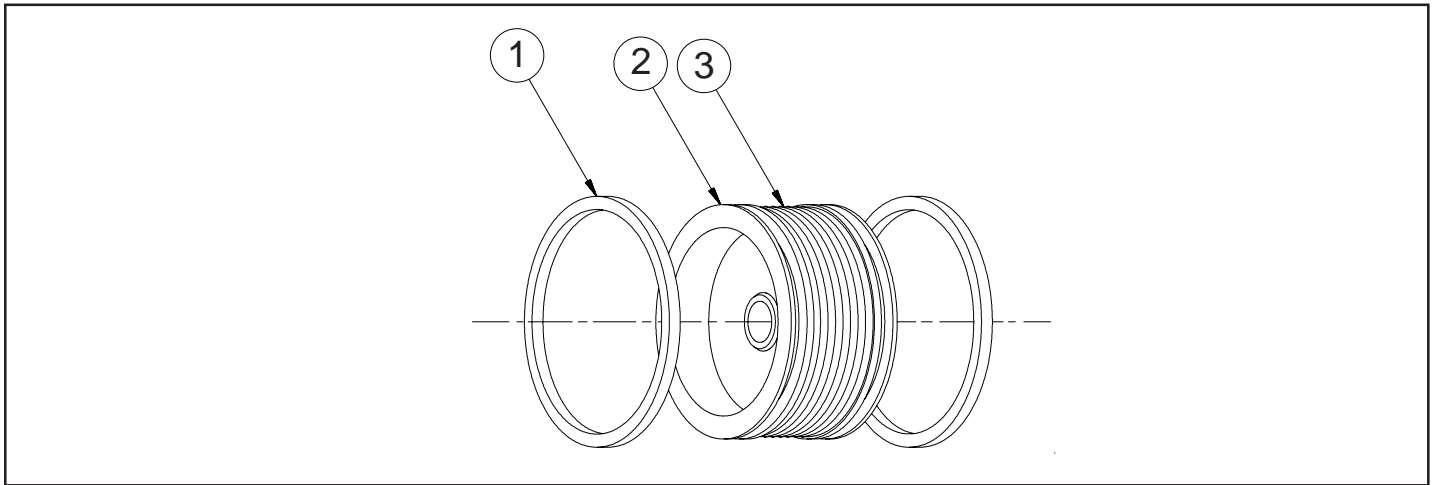


POROUS MIDSIZE CODER PARTS LIST

KEY NO.	PART NUMBER	QTY. REQD.	DESCRIPTION
1	MRM-CL20	1	KNOB, PRINT DRUM
2	MSC-120-PDA	1	MS-120 POROUS PRINT DRUM ASSEMBLY
	MSC-150-PDA		MS-150 POROUS PRINT DRUM ASSEMBLY
	MSC-220-PDA		MS-220 POROUS PRINT DRUM ASSEMBLY
	MSC-250-PDA		MS-250 POROUS PRINT DRUM ASSEMBLY
	MSC-120-PDA-T		MS-120 POROUS PRINT DRUM ASSEMBLY, METRIC
	MSC-150-PDA-T		MS-150 POROUS PRINT DRUM ASSEMBLY, METRIC
	MSC-220-PDA-T		MS-220 POROUS PRINT DRUM ASSEMBLY, METRIC
	MSC-250-PDA-T		MS-250 POROUS PRINT DRUM ASSEMBLY, METRIC
3	MS-36	5	SCREW, 8-32 X 1/2" SHC (FOR INDEXING MODELS)
		3	SCREW, 8-32 X 1/2" SHC (FOR NON-INDEXING MODELS)
4	MSC-BHA	1	BEARING & HUB ASSEMBLY
5	MSC-BPA	1	BASEPLATE ASSEMBLY
6	MSC-ACA	1	AXLE & CAM ASSEMBLY (FOR INDEXING MODELS)
	MS-28		AXLE, PRINT DRUM (FOR NON-INDEXING MODELS)
7	MSC-CFA	1	CAM FOLLOWER ASSEMBLY
8	MS-18	1	BEARING, CAM FOLLOWER
9	MS-32	1	#8 FLAT WASHER
10	MS-33	1	SCREW, 8-32 X 3/8" BHS
11	MS-04	2	GUIDE, CAM FOLLOWER
12	MS-30	1	COMPRESSION SPRING
13	MS-01	1	GUIDE, COMPRESSION SPRING SHAFT
14	MS-35	2	SCREW, 8-32 X 3/4" FHS
15	MSC-MCA	1	MOUNTING COLUMN ASSEMBLY
16	MS-31	1	TENSION ARM SPRING
17	CF-02	1	SCREW, 1/4-20 X 1-1/4" SHC
18	MS-15	1	STOP, SPRING TENSION ARM
19	CW-05	2	3/4" NYLON FLAT WASHER
20	CW-01	1	3/4" STEEL FLAT WASHER
21	CF-13	1	SNAP RING, 3/4" DIAMETER
22	CM-17	1	MOUNTING BRACKET
23	CF-09	1	SCREW, 3/8-16 X 1-1/2" SHC
24	CW-02	1	3/8" STEEL FLAT WASHER

CONTACT CUSTOMER SERVICE FOR APPLICATIONS REQUIRING DEEP RELIEF RIBTYPE.

POROUS MIDSIZE CODER PRINT DRUM ASSEMBLY



1-1/8" POROUS MIDSIZE CODER PRINT DRUM ASSEMBLY PARTS LIST

KEY NO.	PART NUMBER	QTY. REQD.	DESCRIPTION
1	MS-20	2	BEARER RING, MS-120 & MS-220
	MS-21		BEARER RING, MS-150 & MS-250
2	MS-22	1	PRINT DRUM, POROUS MS-120
	MS-23		PRINT DRUM, POROUS MS-150
	MS-22T		PRINT DRUM, POROUS MS-120 - METRIC
	MS-23T		PRINT DRUM, POROUS MS-150 - METRIC
3	MS-11	1	RIBtype® RING, POROUS MS-120
	MS-12		RIBtype® RING, POROUS MS-150
	MS-11T		RIBtype® RING, POROUS MS-120 - METRIC
	MS-12T		RIBtype® RING, POROUS MS-150 - METRIC

2" POROUS MIDSIZE CODER PRINT DRUM ASSEMBLY PARTS LIST

KEY NO.	PART NUMBER	QTY. REQD.	DESCRIPTION
1	MS-20	2	BEARER RING, MS-120 & MS-220
	MS-21		BEARER RING, MS-150 & MS-250
2	MS-48	1	PRINT DRUM, POROUS MS-220
	MS-51		PRINT DRUM, POROUS MS-250
	MS-48T		PRINT DRUM, POROUS MS-220 - METRIC
	MS-51T		PRINT DRUM, POROUS MS-250 - METRIC
3	MS-47	1	RIBtype® RING, POROUS MS-220
	MS-50		RIBtype® RING, POROUS MS-250
	MS-47T		RIBtype® RING, POROUS MS-220 - METRIC
	MS-50T		RIBtype® RING, POROUS MS-250 - METRIC

CONTACT CUSTOMER SERVICE FOR APPLICATIONS REQUIRING DEEP RELIEF RIBTYPE APPLICATIONS.

Universal Stenciling & Marking Systems, Inc.

P.O. Box 871 - St. Petersburg, FL 33731 - U.S.A.

Ph: (727) 894-3027 Fax: (727) 821-7944

E-Mail: sales@universal-marking.com Website: www.universal-marking.com