

UNIVERSAL RIBtype® RUBBER TYPE

Universal's interchangeable RIBtype® rubber type, is available in a variety of styles to fit most rib base coders and marking machines. Letter & number assortment sets contain letters, numbers, punctuation marks and currency symbols. The quantity of letters in these sets are based on frequency of use for example more A's & E's than Q's & Z's. Number assortment sets contain numbers, punctuation marks and currency symbols.



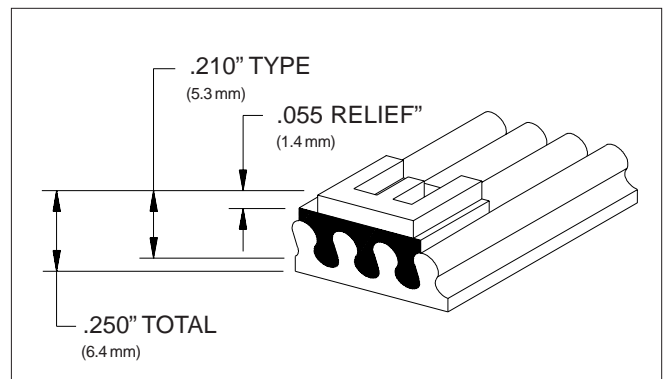
"5A" & "3A" sets include a variety of letters, numbers, punctuation and currency symbols.

"5F" & "4F" figure sets include either 5 or 4 of each number 0-9 along with punctuation and currency symbols.

"15FS" & "12FS" super number sets offer the most economical way to buy "F" sets. Each "FS" set contains 3 times the quantity of characters in a "F" figure set at about 2-1/2 times the cost.

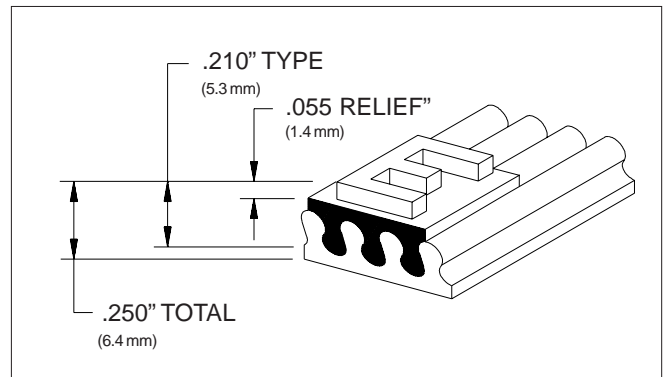
STANDARD (HORIZONTAL) RUBBER TYPE

Standard ribbed rubber type is manufactured to a nominal thickness of .210" with a thickness tolerance of +/- .003". We guarantee it! We also guarantee the alignment of our type will meet the same exacting tolerances. With standard rubber type, lines of text run parallel to the ribs on a coder drum as indicated on the diagram to the right.



VERTICAL RUBBER TYPE

Vertical rubber type logos and single sort characters are manufactured to the same exacting tolerances as standard rubber type. A vertical rib orientation is used when the printed code needs to read from top to bottom or bottom to top. The rib backing on these dies runs perpendicular to the line of text as indicated on the diagram to the right.



"Single Line Logotype" is a single line of characters molded in one piece such as a word or code and provides superior quality impressions over combinations of single characters because of uniform typeface wear. They also save time and minimize costly spelling and coding errors.

"Multiple Line Mats" are two or more lines of text on a single piece. When only part of the text changes, a hole or notch can be cut out of the die and a logo or individual characters can easily be inserted.

"Sorts" are single letters, numbers or punctuation marks and can be custom made in any quantity.

"Mirror Image Type" is a "mirror" image of normal text and is used in offset equipment when the type does not print directly on the object. It is also used when printing on the inside of clear packaging.



Universal Stenciling & Marking Systems, Inc.

P.O. Box 871 - St. Petersburg, FL 33731 - U.S.A.

Ph: (727) 894-3027 Fax: (727) 821-7944 E-Mail: sales@universal-marking.com Website: www.universal-marking.com

