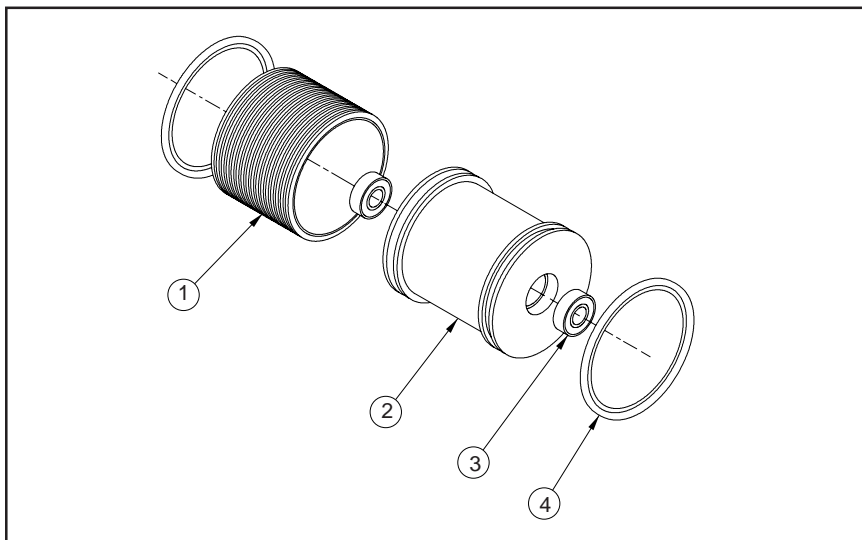


April 7, 2022

UNIVERSAL POROUS HAND PRINTERS  
HP-100NI, HP-200NI & HP-200 SERIES

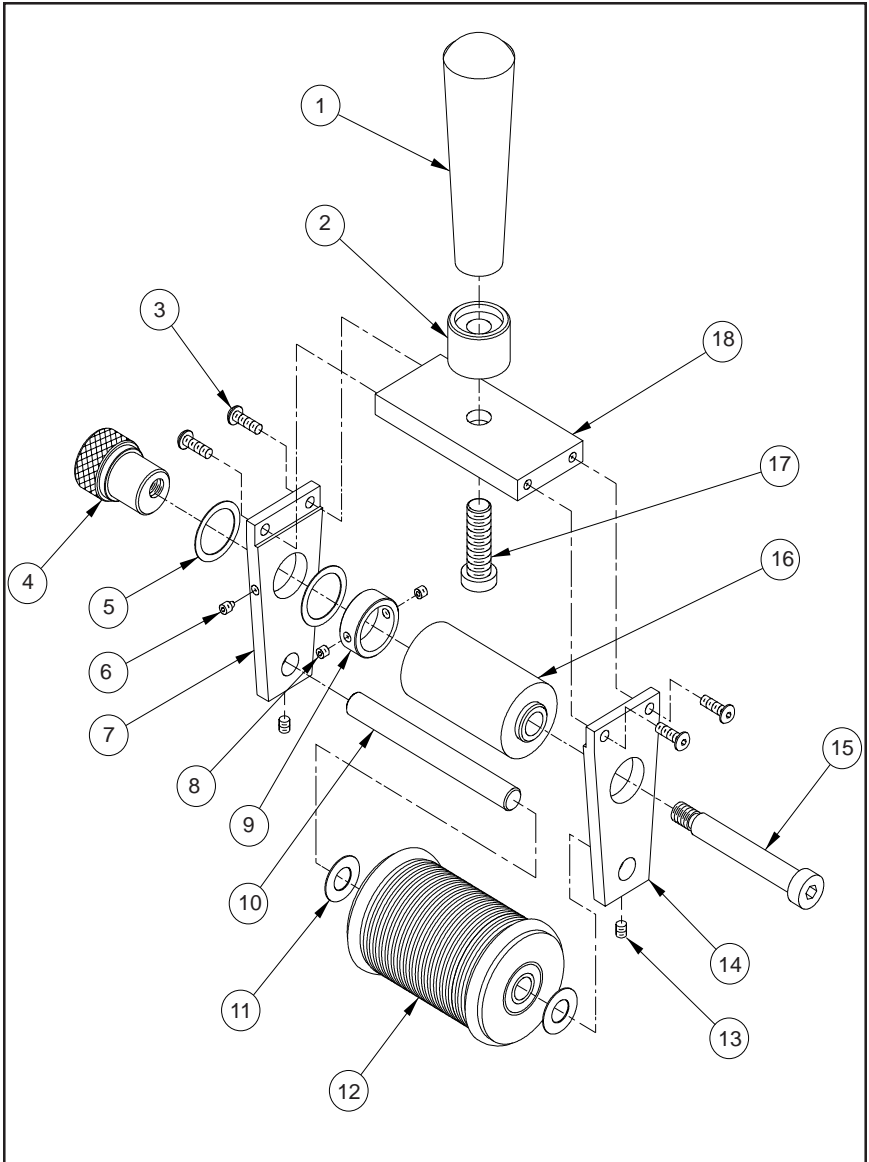
### POROUS HAND PRINTER PRINT DRUM ASSEMBLY



### POROUS HAND PRINTER PRINT DRUM PARTS LIST

| KEY NO. | PART NUMBER   | QTY. REQ. | DESCRIPTION                       |
|---------|---|-----------|-----------------------------------|
| 1       | HP-21   | 1         | HP-100NI RIBtype® RING            |
|         | MC-21   | 1         | HP-200NI RIBtype® RING            |
|         | HP-21T  | 1         | HP-100NI RIBtype® RING - METRIC   |
|         | MC-21T  | 1         | HP-200NI RIBtype® RING - METRIC   |
| 2       | PRINT DRUMS ONLY AVAILABLE IN COMPLETE PRINT DRUM ASSEMBLIES.<br>SEE PAGES 20 & 21 (KEY 12) |           |                                   |
| 3       | HP-02   | 2         | PRINT DRUM BEARING                |
| 4       | HP-03   | 2         | HP-100NI / HP-100NI-T BEARER RING |
|         | MC-01   | 2         | HP-200NI / HP-200NI-T BEARER RING |

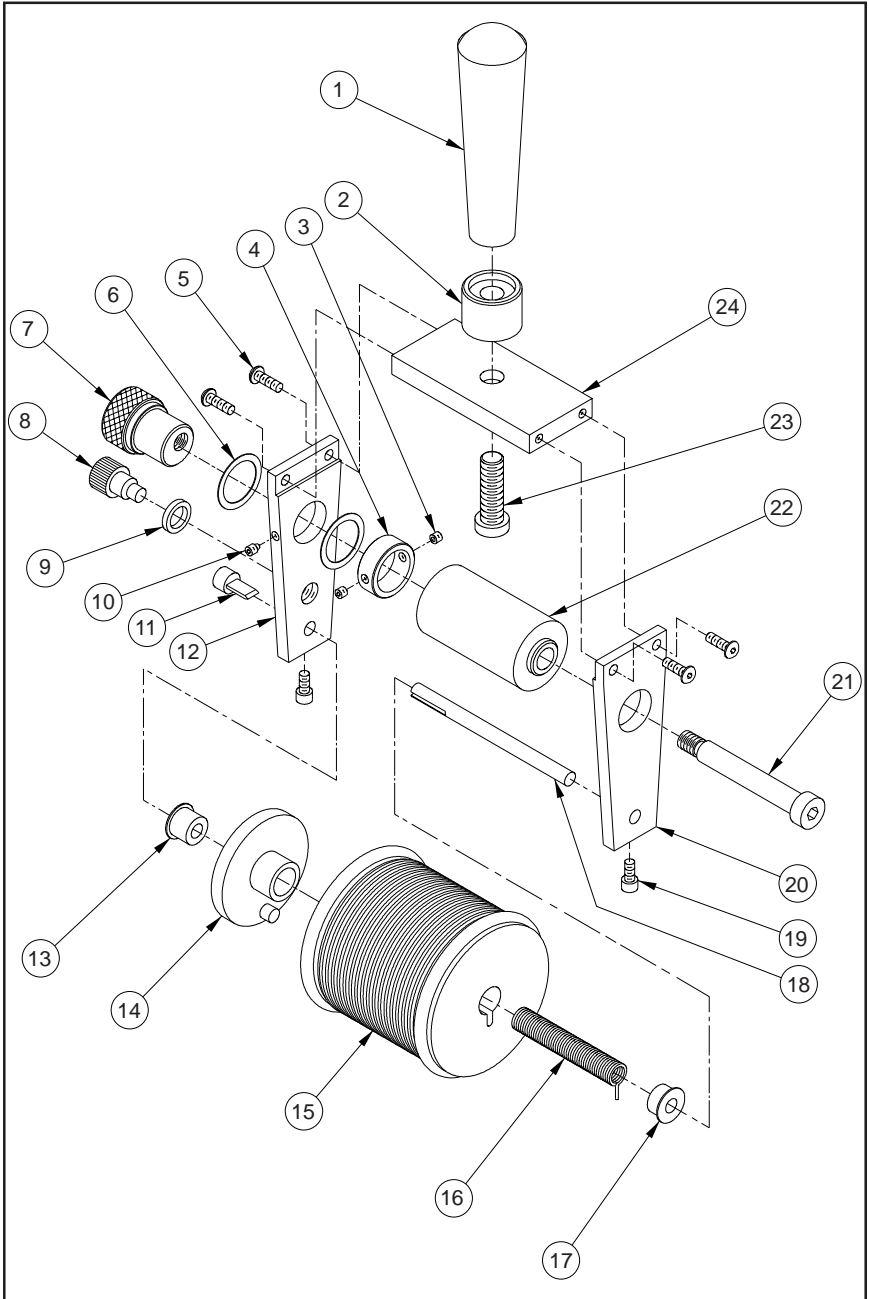
# POROUS HAND PRINTER HP-100NI & HP-200NI ASSEMBLY



**POROUS HAND PRINTER HP-100NI & HP-200NI PARTS LIST**

| KEY NO. | PART NUMBER    | QTY. REQ. | DESCRIPTION                             |
|---------|----------------|-----------|---|
| 1       | HP-18          | 1         | BLACK HANDLE                            |
| 2       | HP-17          | 1         | HANDLE BUSHING                          |
| 3       | HP-10          | 4         | SCREW, 8-32 X 1/2" BHC                  |
| 4       | HP-11          | 1         | ECCENTRIC ADJUSTING KNOB                |
| 5       | HP-42          | 2         | DELRIN WASHER                           |
| 6       | CF-05          | 1         | SET SCREW, 8-32 X 3/16" S.S. NTS        |
| 7       | HP-08          | 1         | HP-100NI SIDE FRAME FOR TENSION SCREW   |
|         | HP-28          | 1         | HP-200NI SIDE FRAME FOR TENSION SCREW   |
| 8       | HP-13          | 2         | SET SCREW, 8-32 X 1/8" CPS              |
| 9       | HP-12          | 1         | LOCKING COLLAR                          |
| 10      | HP-05          | 1         | PRINT DRUM AXLE                         |
| 11      | HP-04          | 2         | 3/8" BRASS FLAT WASHER                  |
| 12      | HP-100NI-PDA   | 1         | HP-100NI PRINT DRUM ASSEMBLY            |
|         | HP-100NI-PDA-T | 1         | HP-100NI-T PRINT DRUM ASSEMBLY - METRIC |
|         | HP-200NI-PDA   | 1         | HP-200NI PRINT DRUM ASSEMBLY            |
|         | HP-200NI-PDA-T | 1         | HP-200NI PRINT DRUM ASSEMBLY - METRIC   |
| 13      | HP-06          | 2         | SET SCREW, 8-32 X 3/16" CPS             |
| 14      | HP-07          | 1         | HP-100NI SIDE FRAME                     |
|         | HP-27          | 1         | HP-200NI SIDE FRAME                     |
| 15      | HP-14          | 1         | INK ROLLER AXLE                         |
| 16      | HP-100RM       | 1         | MICROCELL INK ROLL - STANDARD           |
|         | HP-100RX       | 1         | XF NEOPRENE INK ROLL - OPTIONAL         |
| 17      | HP-15          | 1         | HANDLE BOLT, 3/8-16 X 1-1/2             |
| 18      | HP-16          | 1         | BACK FRAME                              |

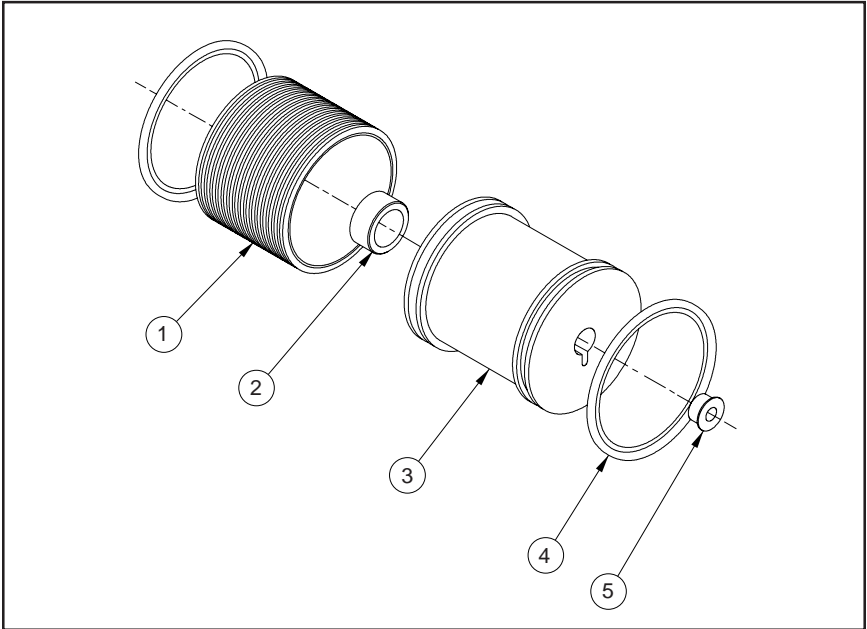
# POROUS HAND PRINTER HP-200 ASSEMBLY



## **POROUS HAND PRINTER HP-200 PARTS LIST**

| KEY NO. | PART NUMBER  | QTY. REQ. | DESCRIPTION                           |
|---------|--------------|-----------|---------------------------------------|
| 1       | HP-18        | 1         | BLACK HANDLE                          |
| 2       | HP-17        | 1         | HANDLE BUSHING                        |
| 3       | HP-13        | 2         | SET SCREW, 8-32 X 1/8" CPS            |
| 4       | HP-12        | 1         | LOCKING COLLAR                        |
| 5       | HP-10        | 4         | SCREW, 8-32 X 1/2" BHC                |
| 6       | HP-42        | 2         | DELRIN WASHER                         |
| 7       | HP-11        | 1         | ECCENTRIC ADJUSTING KNOB              |
| 8       | HP-36        | 1         | STOP PIN                              |
| 9       | HP-43        | 1         | STOP PIN WASHER                       |
| 10      | CF-05        | 1         | SET SCREW, 8-32 X 3/16" S.S. NTS      |
| 11      | HP-41        | 1         | SPRING TENSION ADJUSTER               |
| 12      | HP-30        | 1         | HP-200 SIDE FRAME FOR TENSION SCREW   |
| 13      | HP-33        | 1         | INDEX CAM BUSHING                     |
| 14      | HP-22        | 1         | INDEX CAM ASSEMBLY                    |
| 15      | HP-200-PDA   | 1         | HP-200 PRINT DRUM ASSEMBLY            |
|         | HP-200-PDA-T | 1         | HP-200-T PRINT DRUM ASSEMBLY - METRIC |
| 16      | HP-09        | 1         | INDEX SPRING                          |
| 17      | HP-32        | 1         | PRINT DRUM BUSHING "B" - SMALL        |
| 18      | HP-35        | 1         | PRINT DRUM AXLE - SLOTTED             |
| 19      | HP-40        | 2         | SCREW, 8-32 X 3/8" SHC                |
| 20      | HP-29        | 1         | HP-200 SIDE FRAME                     |
| 21      | HP-14        | 1         | INK ROLLER AXLE                       |
| 22      | HP-100RM     | 1         | MICROCELL INK ROLL - STANDARD         |
|         | HP-100RX     | 1         | XF NEOPRENE INK ROLL - OPTIONAL       |
| 23      | HP-15        | 1         | HANDLE BOLT, 3/8-16 X 1-1/2           |
| 24      | HP-16        | 1         | BACK FRAME                            |

## POROUS HAND PRINTER PRINT DRUM HP-200 ASSEMBLY



## POROUS HAND PRINTER PRINT DRUM HP-200 PARTS LIST

| KEY NO. | PART NUMBER   | QTY. REQ. | DESCRIPTION                   |
|---------|---|-----------|-------------------------------|
| 1       | MC-21   | 1         | HP-200 RIBtype® RING          |
|         | MC-21T  |           | HP-200 RIBtype® RING - METRIC |
| 2       | HP-31   | 1         | END CAP "A" BUSHING           |
| 3       | PRINT DRUMS ONLY AVAILABLE IN COMPLETE PRINT DRUM ASSEMBLIES.<br>SEE PAGES 24 & 25 (KEY 15) |           |                               |
| 4       | MC-01   | 2         | HP-200 BEARER RING            |
| 5       | HP-32   | 1         | END CAP "B" BUSHING           |

### **Universal Stenciling & Marking Systems, Inc.**

P.O. Box 871 - St. Petersburg, FL 33731 - U.S.A.  
 Ph: (727) 894-3027 - E-Mail: sales@universal-marking.com  
 Website: www.universal-marking.com