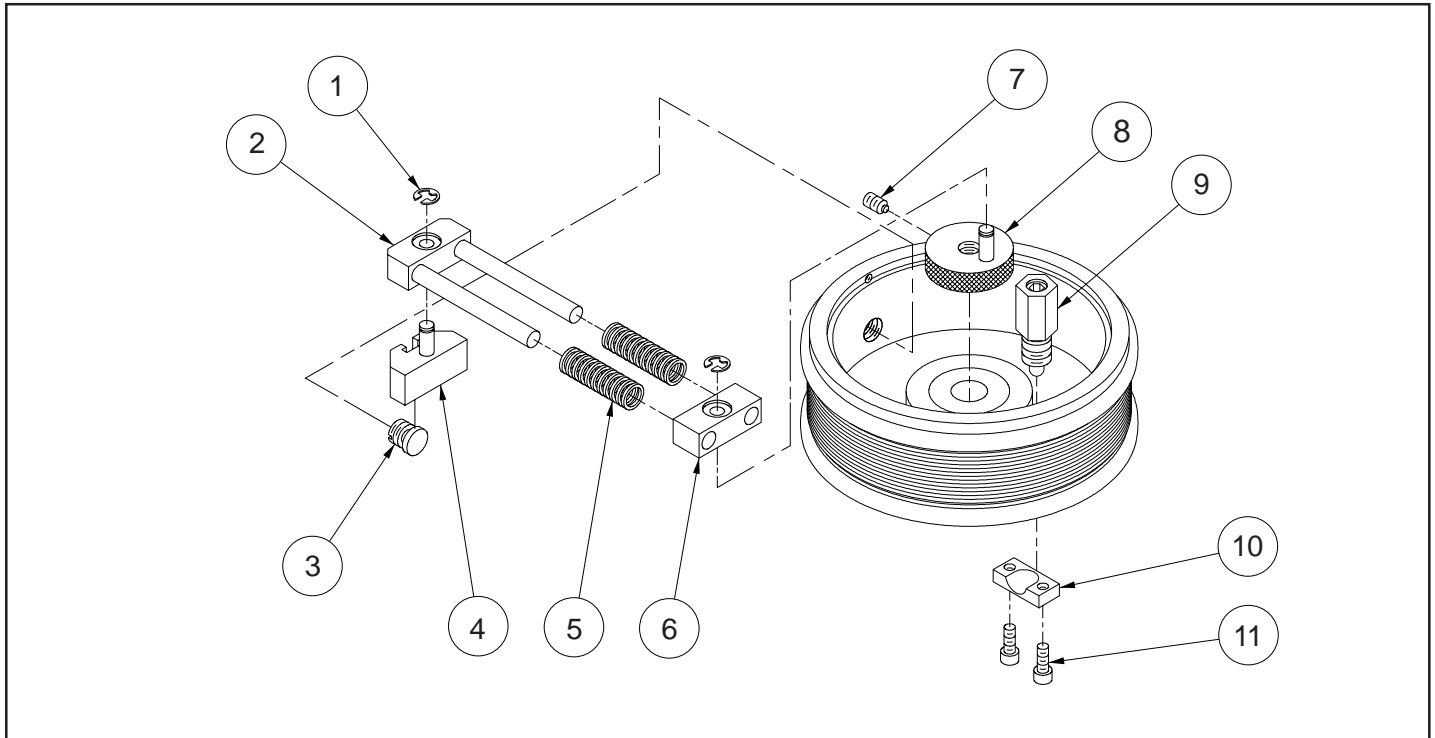


April 25, 2022

**UNIVERSAL NON-POROUS LARGE HAND PRINTERS
HPL-100-NP & HPL-200-NP SERIES**

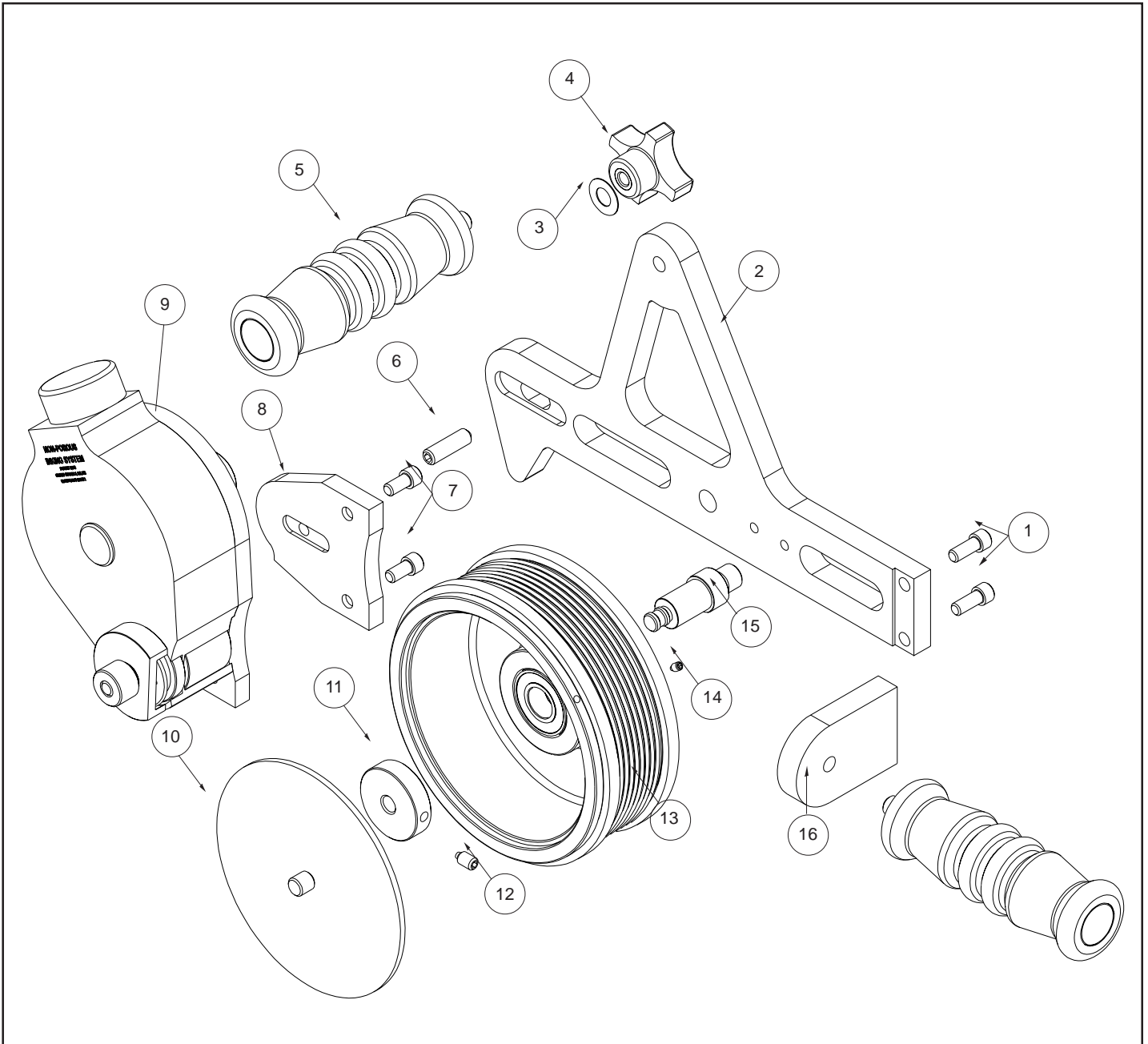
HPL-NP INDEXING ASSEMBLY



HPL-NP INDEXING PARTS LIST

KEY NO.	PARTNUMBER	QTY. REQUIRED	DESCRIPTION
1	CF-28	2	SNAP RING
2	CLP-IA	1	INDEX ASSEMBLY BLOCK "A"
3	CF-27	1	INDEX ASSEMBLY MOUNTING SCREW
4	CLP-IB	1	INDEX ASSEMBLY BLOCK "B"
5	CS-07	2	DRUM INDEX SPRING
6	CLP-IC	1	INDEX ASSEMBLY BLOCK "C"
7	CF-04	1	SET SCREW, 1/4-20, BTSS
8	CLP-IR2	1	INDEX RING ASSEMBLY
9	CLP-IP	1	INDEX PLUNGER ASSEMBLY
10	CM-34	1	INDEX RAMP
11	CF-29	2	SCREW, 10-32 X 1/2" SHC

HPL-NP PRINTER ASSEMBLY



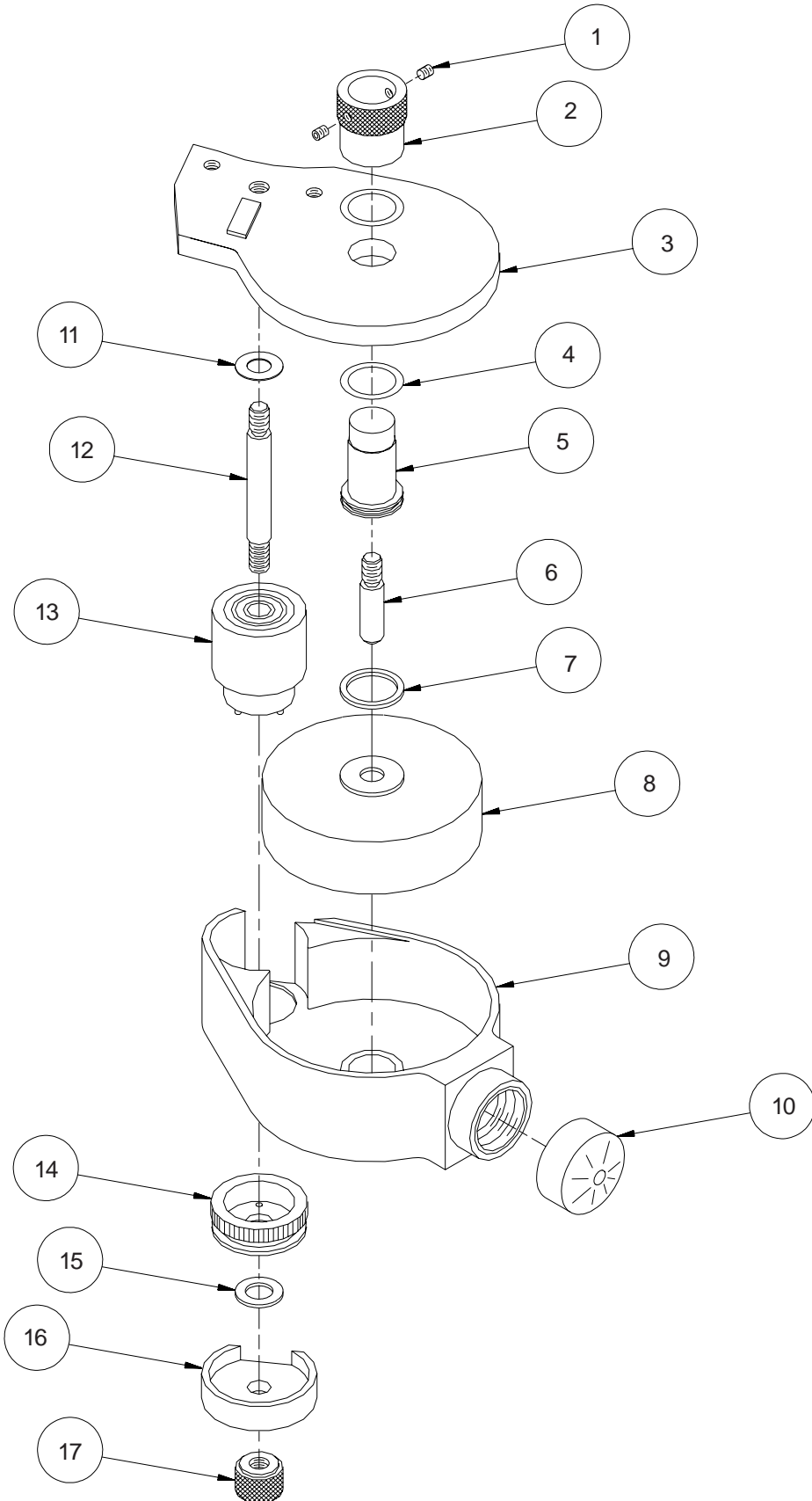
HPL-NP PRINTER PARTS LIST

KEY NO.	PART NUMBER	QTY. REQUIRED	DESCRIPTION
1	MC-02	2	SCREW, 1/4-20 X 5/8 LG SOC HD CAP
2	HPL-001	1	SIDE FRAME
3	HP-04	1	3/8" BRASS FLAT WASHER
4	MRM-CL20	1	KNOB
5	HPL-HA	2	HANDLE ASSEMBLY
6	USMR-032	1	SCREW, 5/16-18 X 1.250 CPSS
7	NP-23	2	SCREW, 1/4-20 X 0.5 SHCS
8	HPL-020	1	INKING SYSTEM MOUNTING PAD
9	HPL-100-NPIS	1	1" NON-POROUS INKING SYSTEM
	HPL-200-NPIS		2" NON-POROUS INKING SYSTEM
10	CM-13	1	DUST COVER W/ KNURLED KNOB
11	CM-04	1	KNURLED RETAINING KNOB
12	CF-04	1	SET SCREW, 1/4-20 X 3/8" LG B.T.S.
13	CLP-100NI-NP-PDA	1	1" NON-INDEXING PRINT DRUM ASSEMBLY
	CLP-100-NP-PDA		1" INDEXING PRINT DRUM ASSEMBLY
	CLP-200NI-NP-PDA		2" NON-INDEXING PRINT DRUM ASSEMBLY
	CLP-200-NP-PDA		2" INDEXING PRINT DRUM ASSEMBLY
	CLP-100NI-NP-PDA-T		1" NON-INDEXING PRINT DRUM ASSEMBLY - METRIC
	CLP-100-NP-PDA-T		1" INDEXING PRINT DRUM ASSEMBLY - METRIC
	CLP-200NI-NP-PDA-T		2" NON-INDEXING PRINT DRUM ASSEMBLY - METRIC
	CLP-200-NP-PDA-T		2" INDEXING PRINT DRUM ASSEMBLY - METRIC
14	CF-05	1	SET SCREW, 8-32 X 3/16" LG N.T.S.
15	HPL-005	1	1-1/8" PRINT DRUM AXLE
	HPL-006		2" PRINT DRUM AXLE
16	HPL-002	1	BACK FRAME

HPL-NP SERIES REPLACEMENT INK ROLL PARTS LIST

CLP-SERIES	PART NUMBER	DESCRIPTION
HLP-100 SERIES	NP-XC1	1-1/8" XF NEOPRENE INK ROLL - DRY
	NP-MT1-P1	1" BLACK TYPE MT INK ROLL
HLP-200 SERIES	NP-XC2	2" XF NEOPRENE INK ROLL - DRY
	NP-MT2-P1	2" BLACK TYPE MT INK ROLL

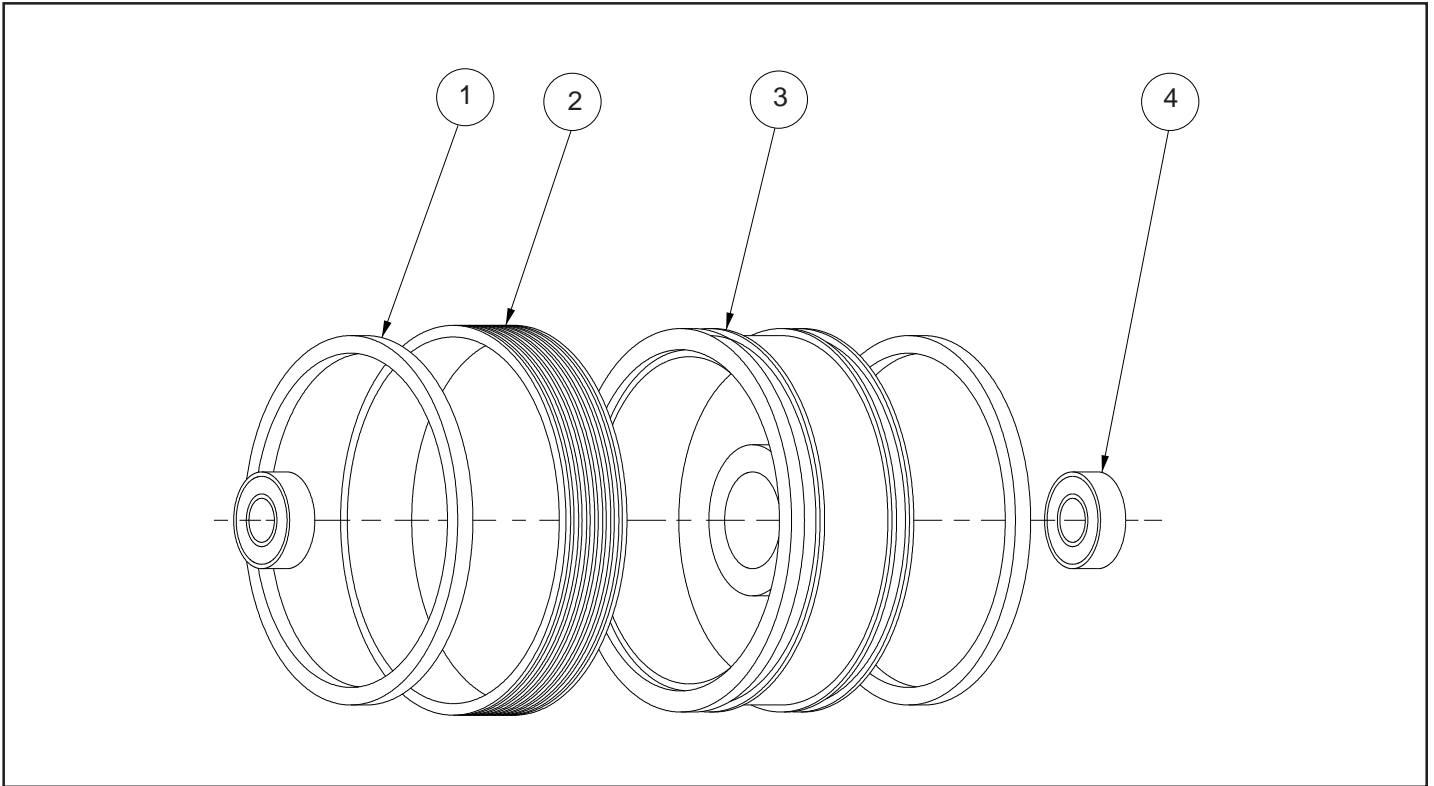
HPL NON-POROUS INKING SYSTEM ASSEMBLY



HPL NON-POROUS INKING SYSTEM PARTS LIST

KEY NO.	PART NUMBER	QTY. REQD.	DESCRIPTION
1	HP-06	2	SET SCREW, 8-32 X 3/16" CPS
2	NP-19	1	ECCENTRIC KNURLED KNOB
3	NP-04-RT	1	MC INKING SYSTEM BASEPLATE - RIGHT HAND TOP MOUNT ASSEMBLY
4	HP-42	2	DELRIN WASHER
5	NP-20M	1	INK ROLL ECCENTRIC
6	NP-07	1	1" INK ROLL AXLE
	NP-08		2" INK ROLL AXLE
7	NP-21	1	ECCENTRIC O-RING
8	NP-XC1	1	1" XF NEOPRENE INK ROLL - DRY
	NP-MT1-P1		1" BLACK TYPE MT INK ROLL
	NP-XC2		2" XF NEOPRENE INK ROLL - DRY
	NP-MT2-P1		2" BLACK TYPE MT INK ROLL
9	NP-01-MRT	1	COVER ASSEMBLY, 1"
	MSC-CA2-NPLT		COVER ASSEMBLY, 2"
10	NP-29	1	BLACK VINYL CAP
11	HP-04	1	3/8" BRASS FLAT WASHER
12	NP-05	1	1" TRANSFER ROLL AXLE
	NP-06		2" TRANSFER ROLL AXLE
13	NP-TRA-1	1	1" TRANSFER ROLL ASSEMBLY
	NP-TRA-2		2" TRANSFER ROLL ASSEMBLY
14	NP-14	1	KNURLED DRIVE WHEEL - WITH DELRIN WASHER
15	NP-15	1	DRIVE WHEEL DELRIN WASHER
16	NP-16	1	DRIVE WHEEL COVER
17	NP-17	1	COVER RETAINING KNOB

HPL-NP PRINT DRUM ASSEMBLY



HPL-NP PRINT DRUM PARTS LIST

KEY NO.	PARTNUMBER	QTY. REQD.	DESCRIPTION
1	CO-02S	2	BEARER RING
2	CLP-BL1	1	CLP/HPL-100-RIBtype® DRUM COVER
	CLP-BL2		CLP/HPL-200-RIBtype® DRUM COVER
	CLP-BL1T		CLP/HPL-100-RIBtype® DRUM COVER - METRIC
	CLP-BL2T		CLP/HPL-200-RIBtype® DRUM COVER - METRIC
3	PRINT DRUMS ONLY AVAILABLE IN COMPLETE PRINT DRUM ASSEMBLIES. SEE PAGES 2 & 3 (KEY 13)		
4	CB-04	2	PRINT DRUM BEARING

Universal Stenciling & Marking Systems, Inc.
 P.O. Box 871 - St. Petersburg, FL 33731 - U.S.A.
 Ph: (727) 894-3027 - E-Mail: sales@universal-marking.com
 Website: www.universal-marking.com