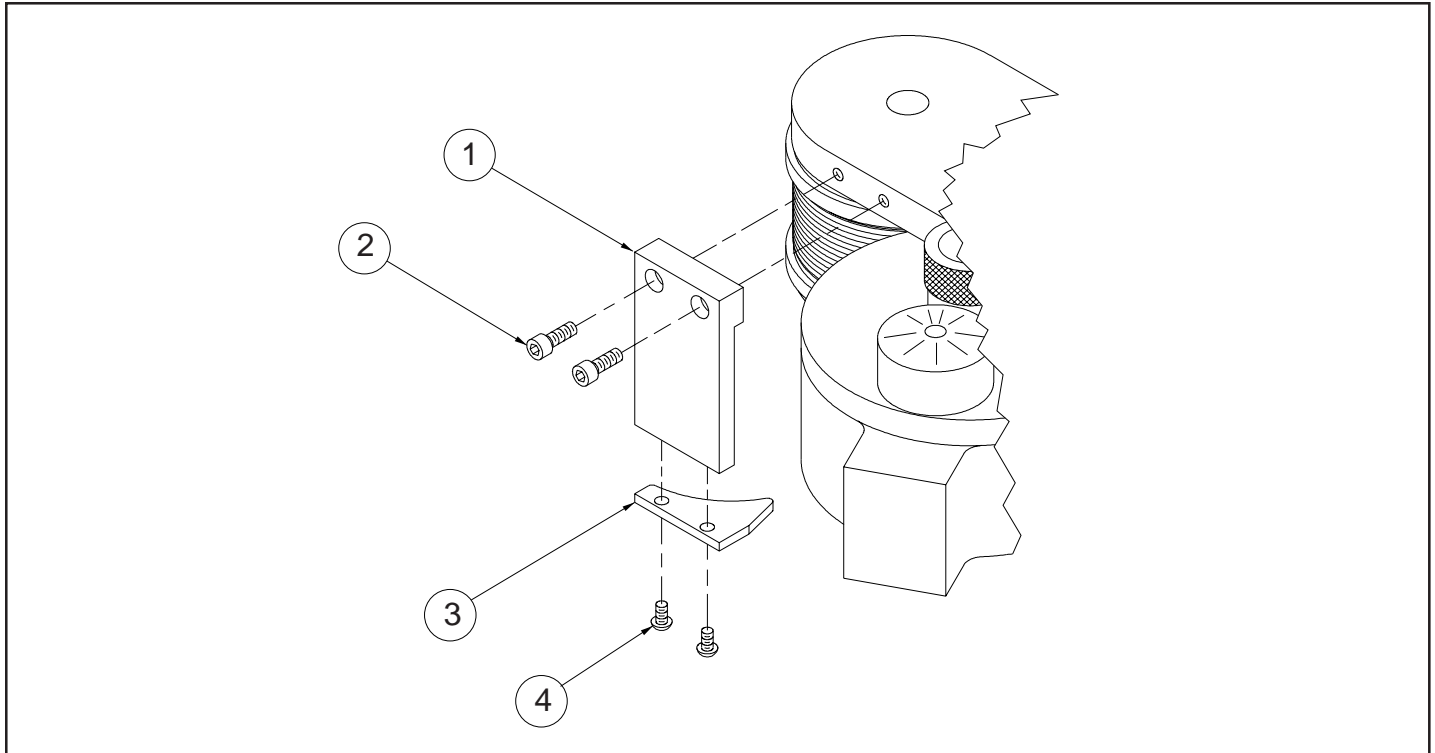


April 25, 2022

**UNIVERSAL NON-POROUS MINI-CODERS
MC-10 & MC-10NI SERIES**

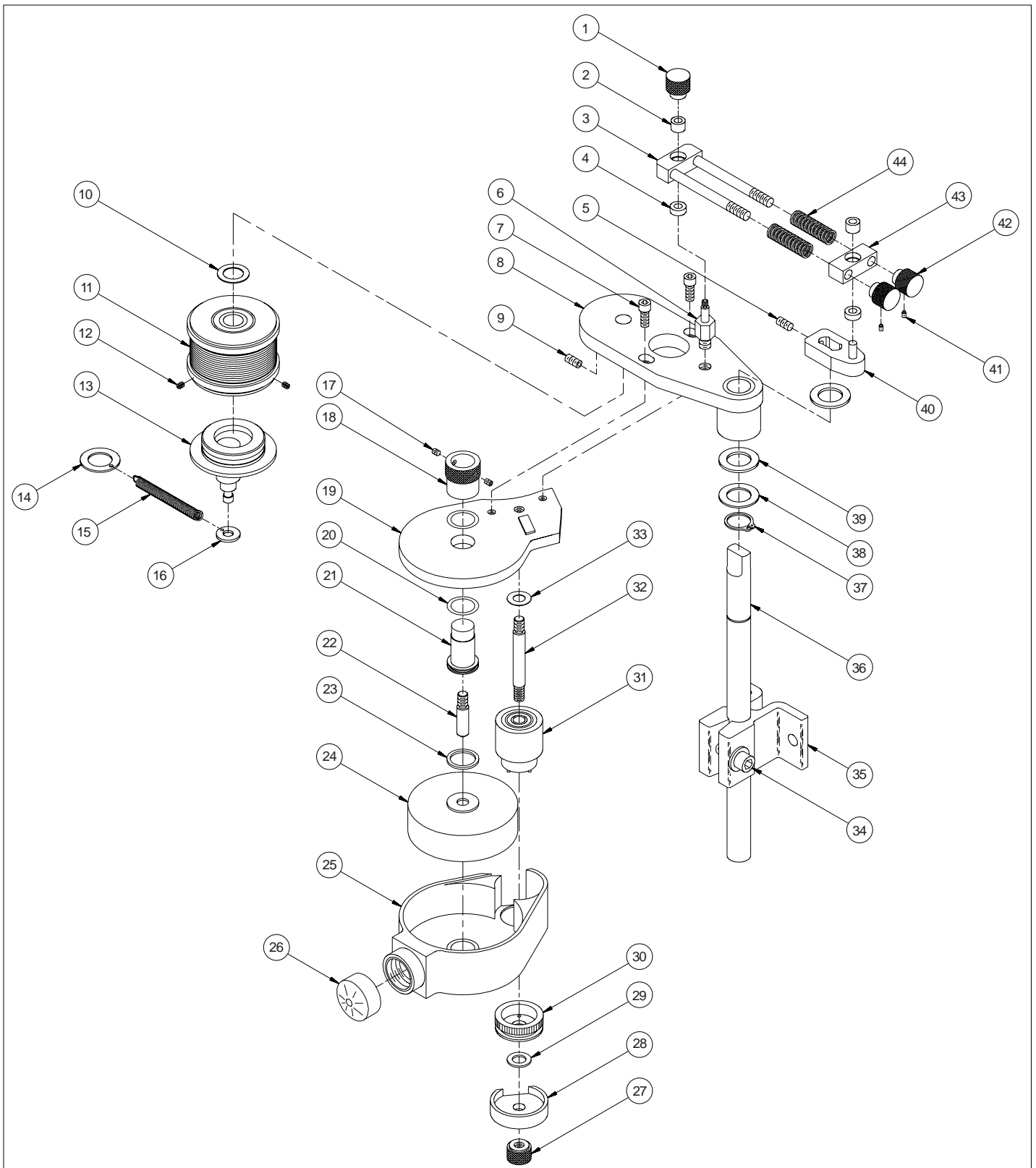
NON-POROUS MINI-CODER CE GUARD ASSEMBLY



NON-POROUS MINI-CODER CE GUARD PARTS LIST

KEY NO.	PART NUMBER	QTY. REQD.	DESCRIPTION
1	NP-64	1	CE GUARD PLATE #1
2	MS-36	2	SCREW, 8-32 X 1/2" SHC
3	NP-65	1	CE GUARD PLATE #2
4	NP-66	2	SCREW, 6-32 X 1/4" SOC BHC

NON-POROUS MINI-CODER ASSEMBLY



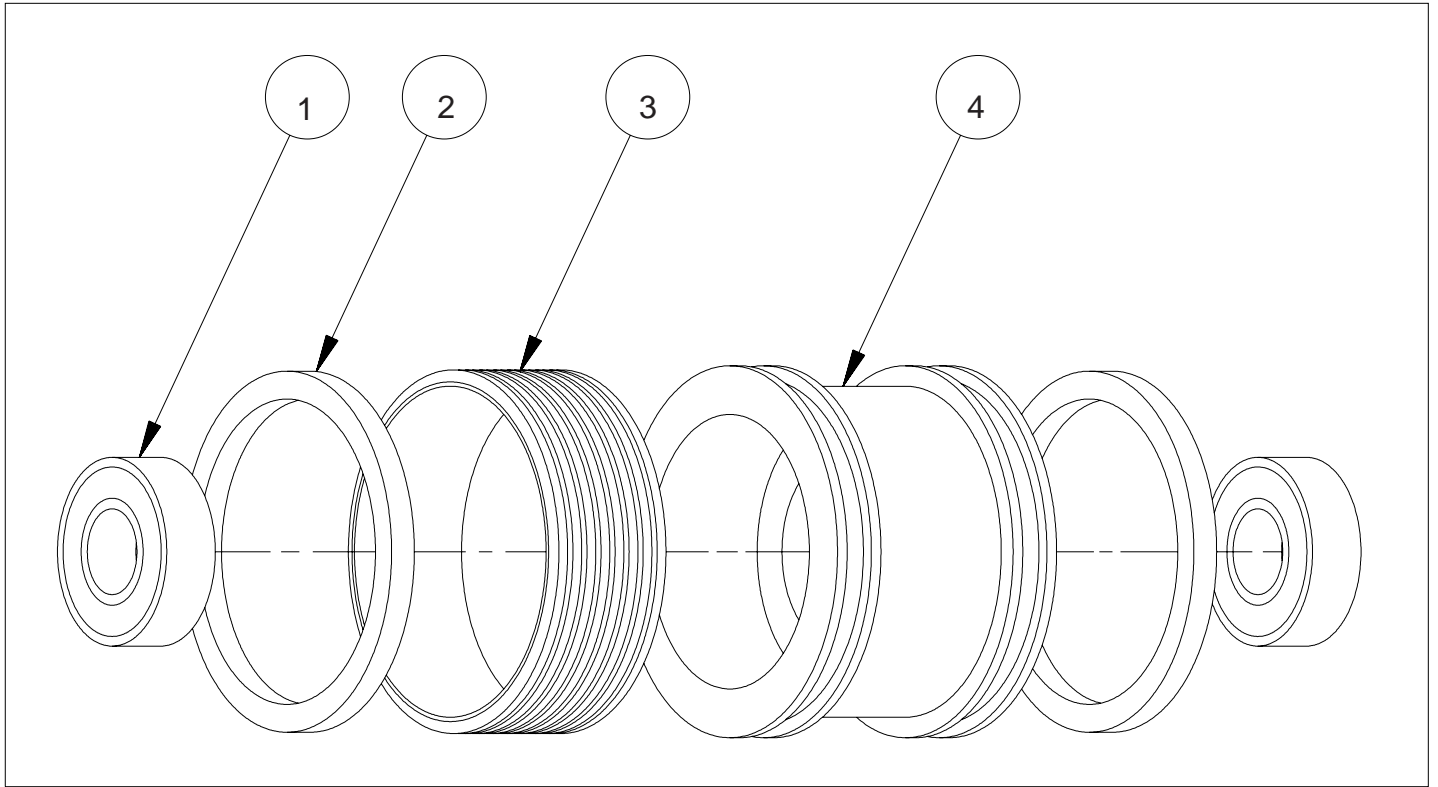
NON-POROUS MINI-CODER PARTS LIST

KEY NO.	PART NUMBER	QTY. REQD.	DESCRIPTION
1	MC-15	1	TENSION BLOCK RETAINING KNOB
2	CB-05	2	NEEDLE BEARING
3	MC-103	1	PIVOT BLOCK ASSEMBLY "A"
4	MC-19	2	DELTRIN BUSHING
5	MC-17	1	SET SCREW, 1/4-20 X 1/2" CPS
6	MC-06	1	HEX PIVOT POST
7	MC-02	2	SCREW, 1/4-20 X 5/8" SHC
8	MC-100	1	BASE PLATE ASSEMBLY
9	MC-55	1	SPRING PLUNGER
10	CW-04	1	BRASS WASHER
11	MC-10NI-PDA-NP	1	1" NON-INDEXING PRINT DRUM ASSEMBLY - COMPLETE
	MC-10-PDA-NP		1" INDEXING PRINT DRUM ASSEMBLY - COMPLETE
	MC-10NI-PDA-NP-T		1" NON-INDEXING PRINT DRUM ASSEMBLY - COMPLETE - METRIC
	MC-10-PDA-NP-T		1" INDEXING PRINT DRUM ASSEMBLY - COMPLETE - METRIC
12	HP-06	3	SET SCREW, 8-32 X 3/16" CPS
13	MC-ICA-NP	1	INDEX CAP ASSEMBLY - NON-POROUS
14	CW-01M	1	SPRING ATTACHMENT RING - LARGE
15	MC-25	1	PRINT DRUM INDEX SPRING
16	MC-56	1	SPRING ATTACHMENT RING - SMALL
17	HP-06	2	SET SCREW, 8-32 X 3/16" CPS
18	NP-19	1	ECCENTRIC KNURLED KNOB
19	NP-04-LS	1	MC INKING SYSTEM BASEPLATE - LEFT HAND SIDE MOUNT ASSEMBLY
	NP-04-RS		MC INKING SYSTEM BASEPLATE - RIGHT HAND SIDE MOUNT ASSEMBLY
	NP-04-LT		MC INKING SYSTEM BASEPLATE - LEFT HAND TOP MOUNT ASSEMBLY
	NP-04-RT		MC INKING SYSTEM BASEPLATE - RIGHT HAND TOP MOUNT ASSEMBLY
20	HP-42	2	DELTRIN WASHER
21	NP-20M	1	INK ROLL ECCENTRIC
22	NP-07	1	INK ROLL AXLE
23	NP-21	1	ECCENTRIC O-RING
24	NP-XC1	1	1" MC/CLP XF NEOPRENE INK ROLL - DRY

NON-POROUS MINI-CODER PARTS LIST

KEY NO.	PART NUMBER	QTY. REQD.	DESCRIPTION
25	NP-01-MLS	1	MC INKING SYSTEM COVER - LEFT HAND SIDE MOUNT ASSEMBLY
	NP-01-MRS		MC INKING SYSTEM COVER - RIGHT HAND SIDE MOUNT ASSEMBLY
	NP-01-MLT		MC INKING SYSTEM COVER - LEFT HAND TOP MOUNT ASSEMBLY
	NP-01-MRT		MC INKING SYSTEM COVER - RIGHT HAND TOP MOUNT ASSEMBLY
26	NP-29	1	BLACK VINYL CAP
27	NP-17	1	COVER RETAINING KNOB
28	NP-16	1	DRIVE WHEEL COVER
29	NP-15	1	DRIVE WHEEL DELRIN WASHER
30	NP-14	1	KNURLED DRIVE WHEEL - WITH DELRIN WASHER
31	NP-TRA-1	1	1" TRANSFER ROLL ASSEMBLY
32	NP-05	1	1" TRANSFER ROLL AXLE
33	HP-04	1	3/8" BRASS FLAT WASHER
34	CF-09	1	SCREW, 3/8-16 X 1-1/2" SHC
	CW-02		3/8" STEEL FLAT WASHER
35	CM-17	1	MOUNTING BRACKET
36	MC-39	1	MOUNTING COLUMN
37	CF-13	1	SNAP RING FOR 3/4" SHAFT
38	CW-01	1	3/4" STEEL FLAT WASHER
39	CW-05	2	3/4" NYLON FLAT WASHER
40	MC-104	1	CAM BLOCK ASSEMBLY
41	CF-05	2	SET SCREW, 8-32-3/16" S.S. NTS
42	MC-14	2	TENSION ADJUSTING KNOB
43	CM-33	1	SPRING BLOCK "C"
44	MC-36	2	TENSION SPRING

NON-POROUS MINI-CODER PRINT DRUM ASSEMBLY



NON-POROUS MINI-CODER PRINT DRUM PARTS LIST

KEY NO.	PART NUMBER	QTY. REQD.	DESCRIPTION
1	CB-04	2	PRINT DRUM BEARING
2	MC-01S	2	PRINT DRUM SQUARE BEARER RING
3	MC-43	1	1-1/8" MINI-CODER RIBtype® RING
	MC-43T		1-1/8" MINI-CODER RIBtype® RING - METRIC
4	PRINT DRUMS ONLY AVAILABLE IN COMPLETE PRINT DRUM ASSEMBLIES. SEE PAGES 2 & 3 (KEY 11)		

Universal Stenciling & Marking Systems, Inc.
 P.O. Box 871 - St. Petersburg, FL 33731 - U.S.A.
 Ph: (727) 894-3027 - E-Mail: sales@universal-marking.com
 Website: www.universal-marking.com